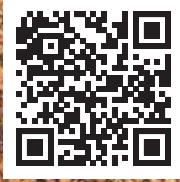
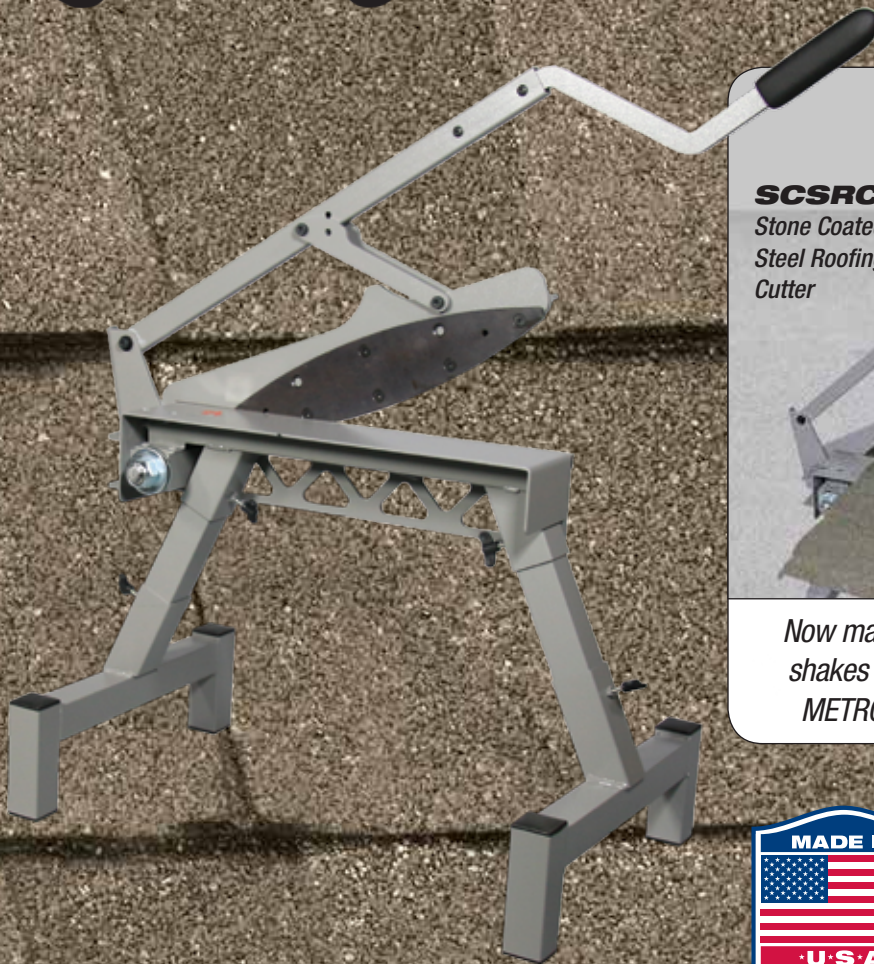


You've Got to
See this!



Stone Coated Steel Roofing Cutter

**Cutting Steel Shingles
just got 30% easier!**



SCSRC1
Stone Coated
Steel Roofing
Cutter



Now make fast, safe, easy cuts in steel shingles, shakes and tile roofing styles, including DECRA, METRO and GERARD brands, all season long.

SL16421



Malco[®]

Stone Coated Steel Roofing Cutter

Compound leverage and generous handle length results in 30% less force to operate when compared to other guillotine style shingle cutters that pose a challenge to even the most seasoned pros.



SCSRC1
Stone Coated Steel
Roofing Cutter



The steel shingle, including lock seam, is cut in an easy, steady motion. The shearing action has a "wiping" effect on the shingle's zinc coating that seals cut edge to resist rust.



Reversible Cutting Edges on hardened steel blade and die offer twice the cutting life, prior to sharpening. Blade and die are also easily replaceable!



With blade lock-pin in place, this cutter is safe to carry on to the job site.



Large table surface allows sure control and prevents damage to work-piece.



Short Legs

Long Legs

Sturdy frame with two different length leg tubes provides working table height options of 21-1/4 or 29-1/4 inches.

Specifications

Catalog Number	Description	Cutting Application	Adjustable Table Heights	Net Weight
SCSRC1	Stone Coated Steel Roofing Cutter	Stone Coated Steel Roofing	21-1/4 and 29-1/4 in. (540 and 743 mm)	70 lbs. (32 kg.)

